

1

2

3

4

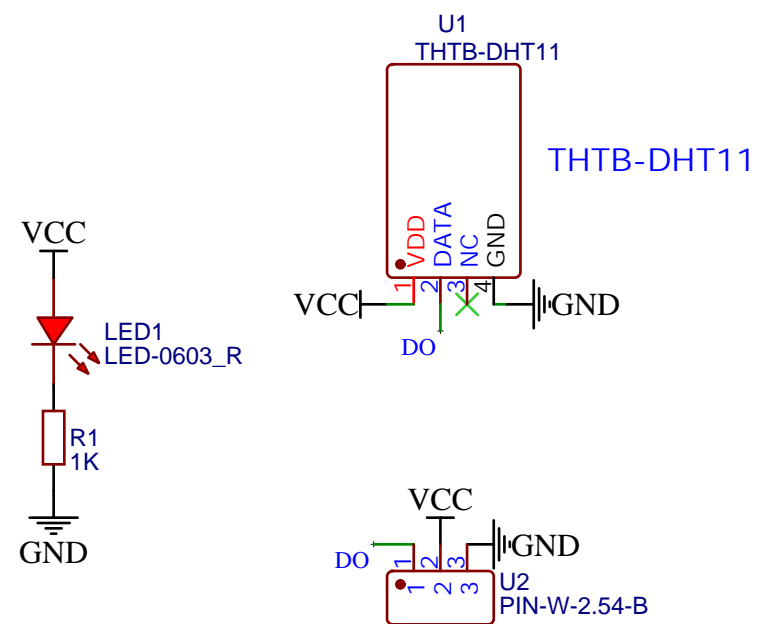
5

A

B

C

D



TITLE: 温湿度传感器 HS-S26A		REV: 1.0
立创EDA	Company:	Sheet: 1/1
	Date: 2021-09-12 Drawn By:	

1

2

3

4

5